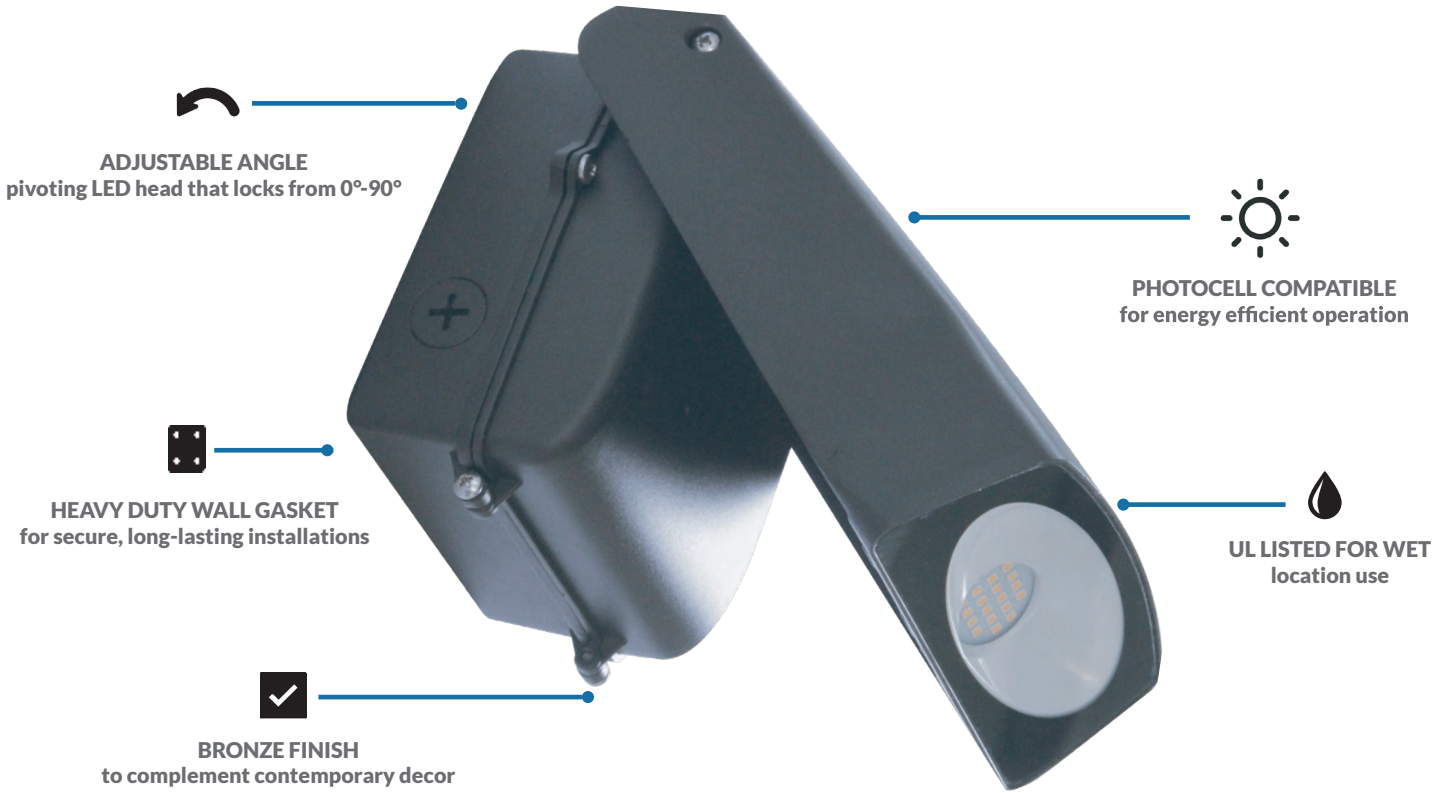




# LED WALL PACK

30W / 120-277V  
#WP2-304-1



## DESCRIPTION

These adjustable angle slimline wall packs in 4000K are a combination of exceptional value, contemporary design, and flexible mounting options. Using industry-leading LED chips, these luminaires are the high efficacy solution that can be used as flood lights and pole mounted lights, with the ability to adjust the angle anywhere from 0° to 90°, allowing for flexible installation.

## POPULAR APPLICATIONS



PERSONNEL DOORS



EXTERIOR WALLS

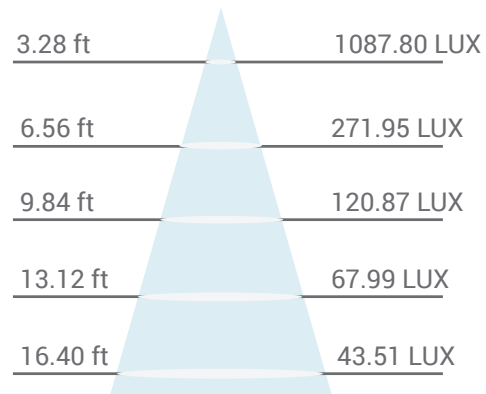
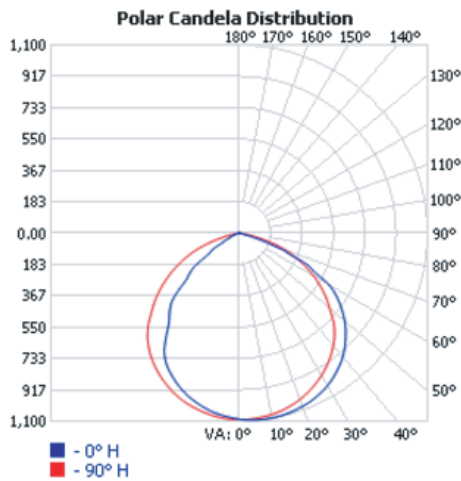
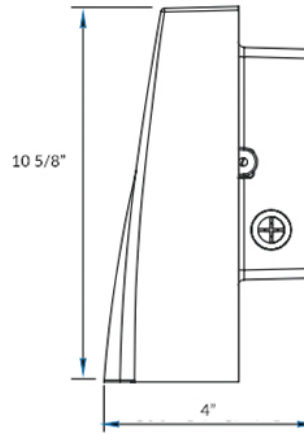
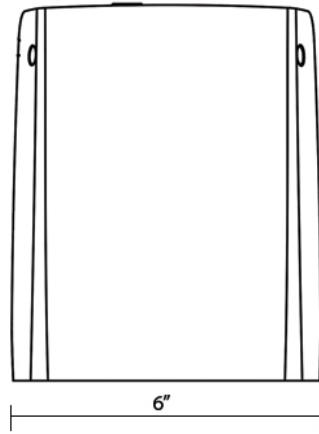


LOADING AREAS



BUILDING PERIMETERS

# PRODUCT DIMENSIONS / PHOTOMETRIC SPECS / ILLUMINANCE AT A DISTANCE



## TECHNICAL DATA

LIGHT SPECIFICATIONS		ELECTRICAL		TEMPERATURE	
Lumens	3,092	Wattage	30W	Minimum Start	-40°C
CCT	4000K	System Watts	29W	Ambient Temp	40°C
Efficacy	105.6 lm/W	Input Voltage	120-277V	DIMENSIONS & WEIGHT	
CRI	≥82.7	Power Factor	0.91	Dimensions	7 3/8" x 3 5/8"
Beam Angle	Adjustable (0° - 90°)	THD	13.2%	Weight	1.07 KGS
DRIVER		CONSTRUCTION		APPROVALS & LISTINGS	
Driver Type	Constant Current	Housing Material	Die-cast	cETLus	UL-1598
Dimmable	No	Lens Material	Polycarbonate Lens	DLC Listed	P63QDVQV
HOURS		LED CHIP		IESNA	LM-79 & LM-80
Rated Hours	50,000	Chip Brand	Philips Lumileds		
		Chip Type	3030 2D		