

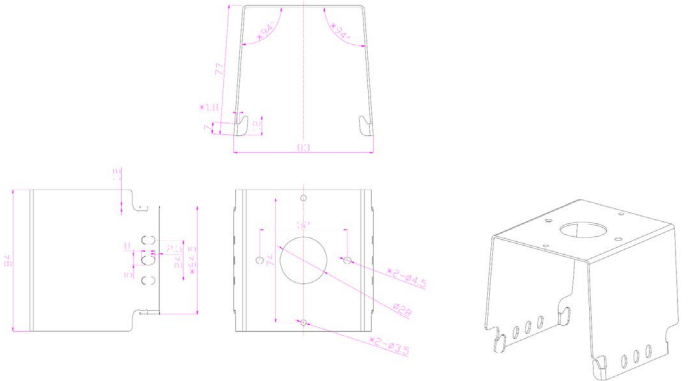


Project	
Date	
Prepared by	
Model #	

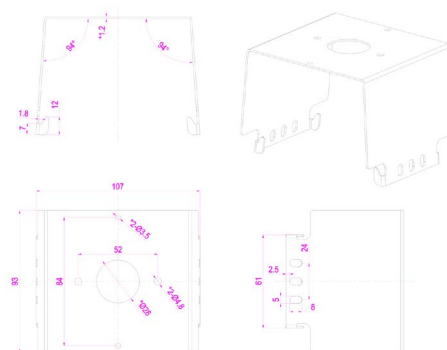
LHB3-SERIES ACCESSORIES



PRODUCT INFORMATION	
Model #	LHB-PMK13
Description	Pendant Mount Kit for LHB3-Series Linear High Bays (100-277V Models)
Material	Steel
Use	Enables mounting of linear high bays via NPT/pendant.
Dimensions	2 ³ / ₈ "(H) x 3 ³ / ₈ "(W) x 3"(D)

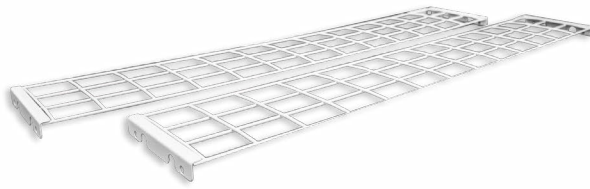


PRODUCT INFORMATION	
Model #	LHB-PMK23
Description	Pendant Mount Kit for LHB3-Series Linear High Bays (277-480V Models)
Material	Steel
Use	Enables mounting of linear high bays via NPT/pendant.
Dimensions	2 ³ / ₈ "(H) x 3 ³ / ₄ "(W) x 3 ⁷ / ₈ "(D)

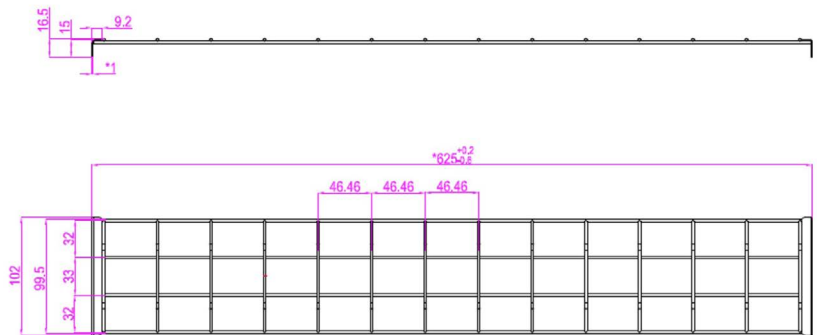


Project	
Date	
Prepared by	
Model #	

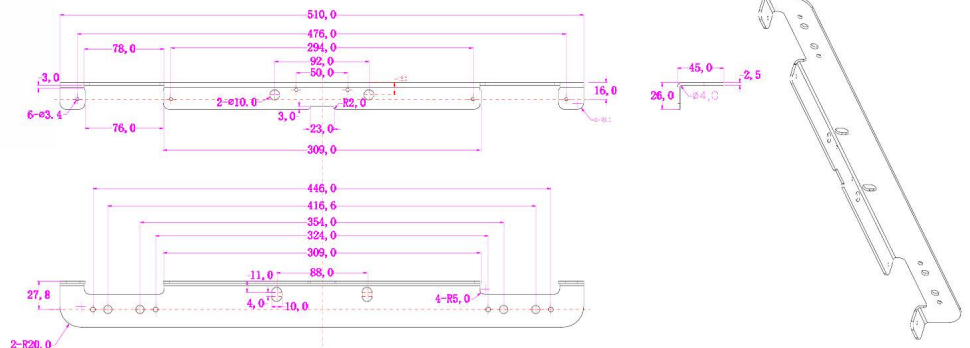
LHB3-SERIES ACCESSORIES



PRODUCT INFORMATION	
Model #	LHB-WG3
Description	Wireguards for LHB3 Series Linear High Bays
Material	Steel
Use	The ideal way to protect linear high bays from impact and vandalism
Dimensions	24.60" x 4.01" (625mm x 102mm) each piece

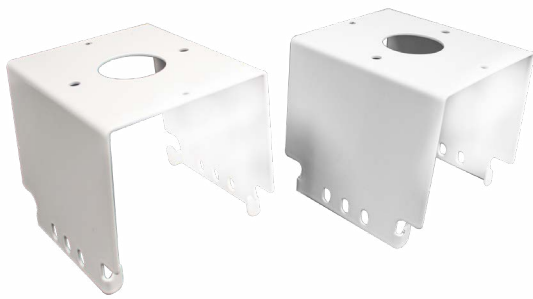


PRODUCT INFORMATION	
Model #	LHB-GK3
Description	Ganging Kit for LHB3 Series Linear High Bays
Material	Steel
Use	For surface mounting onto concrete or drywall ceilings.
Dimensions	1"(H) x 1.77" (W) X 20" (L) each piece

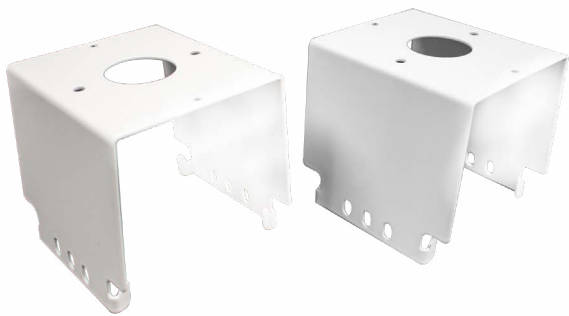
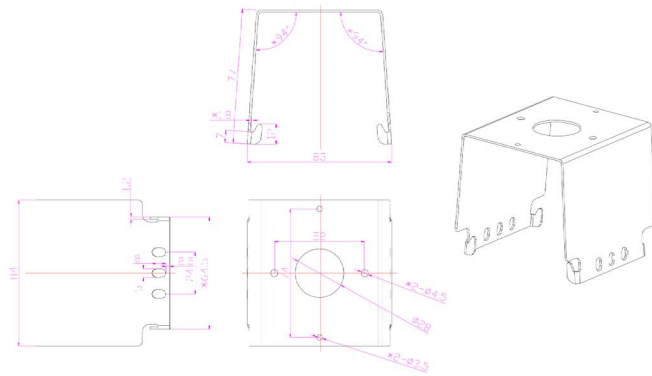


Project	
Date	
Prepared by	
Model #	

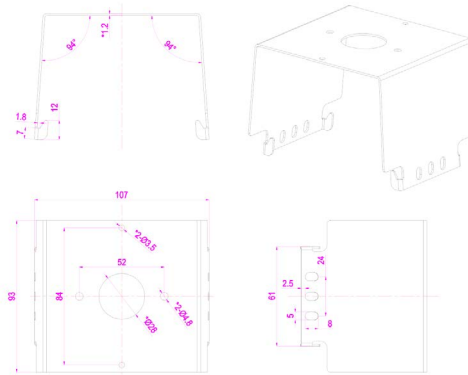
LHB3-SERIES ACCESSORIES



PRODUCT INFORMATION	
Model #	LHB-TRSMK13
Description	Surface Mount/Threaded Rod Kit for LHB3 Series Linear High Bays (100-277V Models)
Material	Steel
Use	For mounting vertically or horizontally on walls and other structures.
Dimensions	2 3/8" (H) x 3 1/4" (W) x 3 1/4" (D) each piece



PRODUCT INFORMATION	
Model #	LHB-TRSMK23
Description	Surface Mount/Threaded Rod Kit for LHB3 Series Linear High Bays (277-480V Models)
Material	Steel
Use	For mounting vertically or horizontally on walls and other structures.
Dimensions	2 3/8" (H) x 4" (W) x 3 5/8" (D) each piece



Project	
Date	
Prepared by	
Model #	

LHB3-SERIES ACCESSORIES



PRODUCT INFORMATION	
Model #	LHB-ACK3
Description	Aircraft Cable Kit for LHB3-Series Linear High Bays
Material	Steel
Use	Enables suspension hanging of linear high bays.
Dimensions	47.24" long

