



# T5 1 SERIES LED T5 TUBES

## INSTALLATION INSTRUCTIONS



For use with:

T5 Tubes

T51-4264GA | T51-4265GA

### WHAT'S IN THE BOX

- T5 LED TUBE

### WHAT YOU'LL NEED

- SAFETY GLASSES

### CHECK BEFORE INSTALLING

Before installing this T5 lamp, please refer to the ballast compatibility list, available at:  
<https://premiseled.com/PDF/support/compatibility>

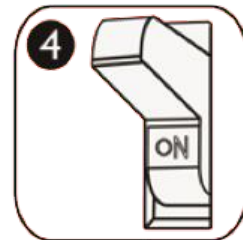
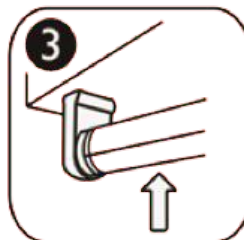
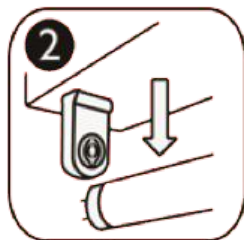
### IMPORTANT

Before assembling your PREMISE LED tube, please make sure that you carefully read through this instruction sheet. Consider having your fixture installed by a qualified licensed electrician.

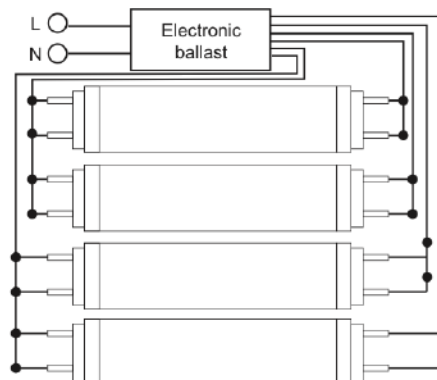
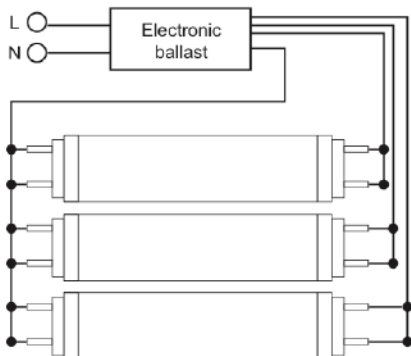
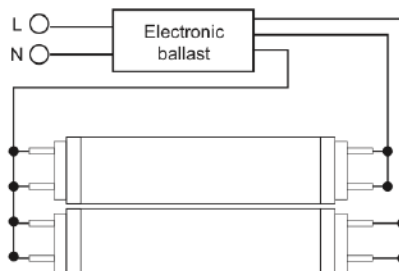
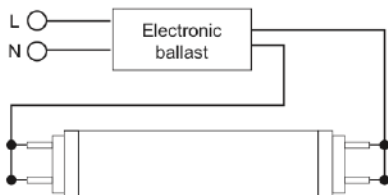
**Note:** The important safeguards and instructions that appear in this sheet are not meant to cover all possible conditions and situations that may occur. It must be understood that common sense, caution, and care are factors that cannot be built into any product. These factors must be supplied by the person(s) caring for and operating the fixture.

Premise LED Inc.  
80-86 Carrier Drive  
Toronto, ON Canada  
M9W 5R1  
PREMISELED.COM

## STEP-BY-STEP INSTRUCTIONS



1. Switch off power to the luminaire
2. Remove the existing fluorescent lamps from the luminaire.
3. Install LED T5 Tube.
4. Switch on power to the luminaire.



### WARNING

- If the luminaire exhibits undesirable operation (buzzing/flickering), immediately turn off the power, remove the lamp from luminaire, and contact the luminaire manufacturer.
- This lamp only operates on electronic ballasts. If lamp does not light when the luminaire is turned on, remove lamp from luminaires and contact lamp manufacturer or a qualified electrician.
- Risk of fire. Do not install in a preheated luminaire.
- Suitable for use in dry or damp locations.
- Loose contact or incorrect installation may lead to fire. If lamp holders in luminaire are damaged, corroded, charred, blackened, or loose, contact a qualified electrician for proper replacement prior to installing lamp.
- Product is not dimmable.
- Modifications to the product voids the warranty.