



Project	
Date	
Prepared by	
Model #	FL4-2004T3-2

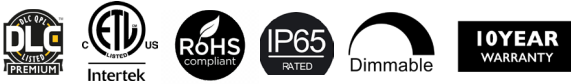
# FL4-SERIES AREA LIGHT

## OVERVIEW

The FL4-Series Flood Light represents our entry into specification grade exterior lighting. Finished in black, its sleek design and larger housing size provides an attractive look, especially when mounted on poles. Offering a wide range of mounting options, lumen packages, IES beam distribution patterns, and integrated controls, they will allow you to achieve any design requirement.

## PRODUCT HIGHLIGHTS

- Interchangeable mounting options to adapt to any application: mounting arm, yoke, trunnion or slip fitter\*
- Operates in -40°F/-40°C degree outdoor weather
- 1-10V dimming for maximum control and energy savings
- IP65 and Wet Location rated
- Black contemporary finish to complement all outdoor environments



\*Fixture does not include mount. Mount must be ordered separately.

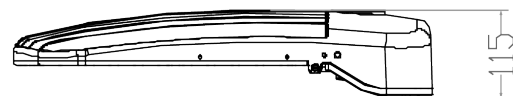
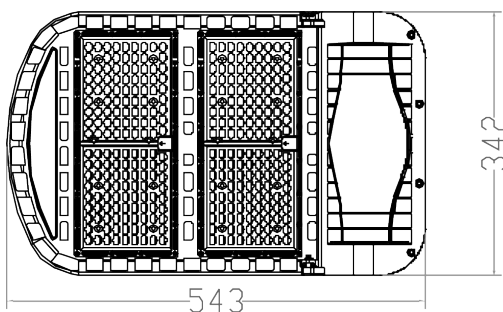
### OPTICAL SPECIFICATIONS

Lumen Output (lm) <sub>1</sub>	26,534lm	Beam Angle (°) <sub>1</sub>	Type III (150°x85°)
CCT (K) <sub>1</sub>	4000K	Projected Lifetime (L <sub>70</sub> )	50,000 hrs
CRI (Ra) <sub>1</sub>	80	Chromaticity Shift	±250K
Efficacy (lm/W) <sub>1</sub>	135 lm/W		

### ELECTRICAL SPECIFICATIONS

Power	200W	Replacement For	Up to 450W HID or HPS/MH
Apparent Power (VA)	200.5VA	Current Draw at 277V <sub>AC</sub> (A) <sub>2</sub>	0.750A
System Wattage (W)	196.4W	Current Draw at 347V <sub>AC</sub> (A) <sub>2</sub>	0.520A
Input Voltage	277-480VAC	Current Draw at 480V <sub>AC</sub> (A) <sub>2</sub>	0.450A
Output Voltage (VDC)	56VDC		

### PRODUCT DIMENSIONS



## CONSTRUCTION

Housing Material	Aluminum Alloy	Installation Method	Wall Mounted/ Square Pole Mounted/ Round Pole Mounted
Housing Color	Black	Operation Range (°F/°C)	-40°F to 113°F/-40°C to 45°C
Lens Material	Polycarbonate	Weight (Kg/Lbs)	8.8kg / 19.4lbs
Dimensions (inch/mm)	21.4" x13.5" x 4.5" / 543mm x 342mm x 115mm	Warranty	10 Years

## APPROVALS AND LISTINGS

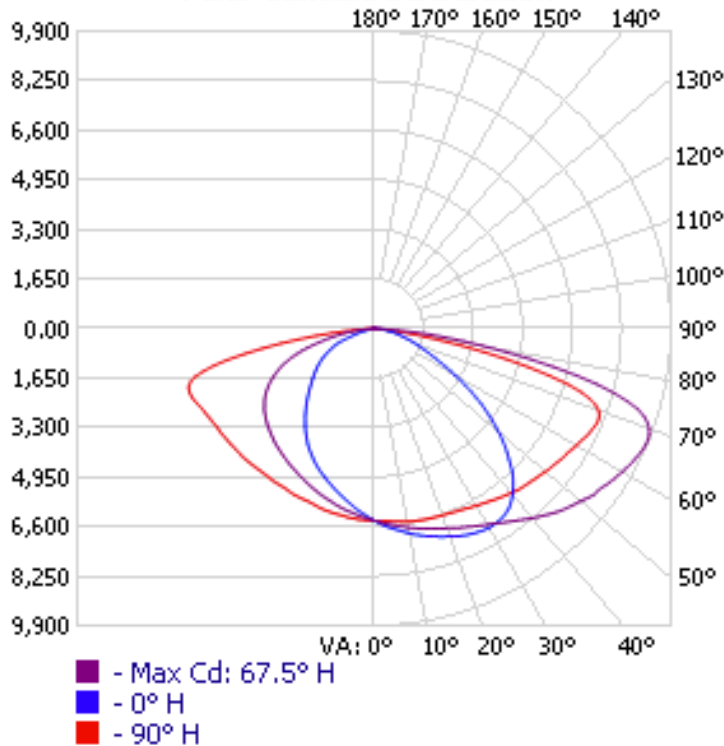
DLC Premium	P0F5FHBS	IP Rating	IP65
Wet Location Rated	Yes	EPA Rating	2.57ft <sup>2</sup>
UL/ETL	cETLus	BUG Rating	B3-U3-G3

## LED AND DRIVER SPECIFICATIONS

LED Type	3030	Surge Protection	L/N-PE: 10KV, L-N: 6KV
Dimmable	Yes (1-10V)	Inrush Current (A)	50A/90A
Power Factor	0.9	Driver Class	Class 2
THD	15%		

## PHOTOMETRICS

### Polar Candela Distribution



### ZONAL LUMEN SUMMARY

ZONE	LUMENS	% LAMP	% LUMINAIRE
0-30	5,331.2	20.1%	20.1%
0-40	9,230.0	34.8%	34.8%
0-60	18,519.9	69.8%	69.8%
60-90	7,890.6	29.7%	29.7%
70-100	3,647.7	13.7%	13.7%
90-120	59.8	0.2%	0.2%
0-90	26,410.5	99.5%	99.5%
90-180	122.5	0.5%	0.5%
0-180	26,533.0	100%	100%

### LCS TABLE

BUG RATING	B3 - U3 - G3	
FORWARD LIGHT	LUMENS	LUMENS %
LOW(0-30):	2,978.3	11.2%
MEDIUM(30-60):	8,234.0	31%
HIGH(60-80):	4,741.9	17.9%
VERY HIGH(80-90):	499.5	1.9%
BACK LIGHT		
LOW(0-30):	2,352.8	8.9%
MEDIUM(30-60):	4,957.0	18.7%
HIGH(60-80):	2,486.5	9.4%
VERY HIGH(80-90):	162.0	0.6%
UPLIGHT		
LOW(90-100):	22.0	0.1%
HIGH(100-180):	100.5	0.4%
<b>TRAPPED LIGHT:</b>	0.0	0%

### ILLUMINANCE AT A DISTANCE

HEIGHT(FT)	CENTER BEAM	BEAM SPREAD(FT)		FIELD SPREAD(FT)	
	FOOTCANDLE	HORIZONTAL	VERTICAL	HORIZONTAL	VERTICAL
<b>4.00</b>	399.59 FC	30.8	9.9	65.6	30.3
<b>8.00</b>	99.90 FC	61.5	19.8	131.2	60.6
<b>12.00</b>	44.40 FC	92.3	29.8	196.9	90.9
<b>16.00</b>	24.97 FC	123.0	39.7	262.5	121.2
<b>20.00</b>	15.98 FC	153.8	49.6	328.1	151.5
		BEAM ANGLE		FIELD ANGLE	
		150.8°	102.3°	166.1°	150.4°

## MOUNTING OPTIONS



**FL-MA4**

Mounting Arm for FL4-Series Area/Flood Lights

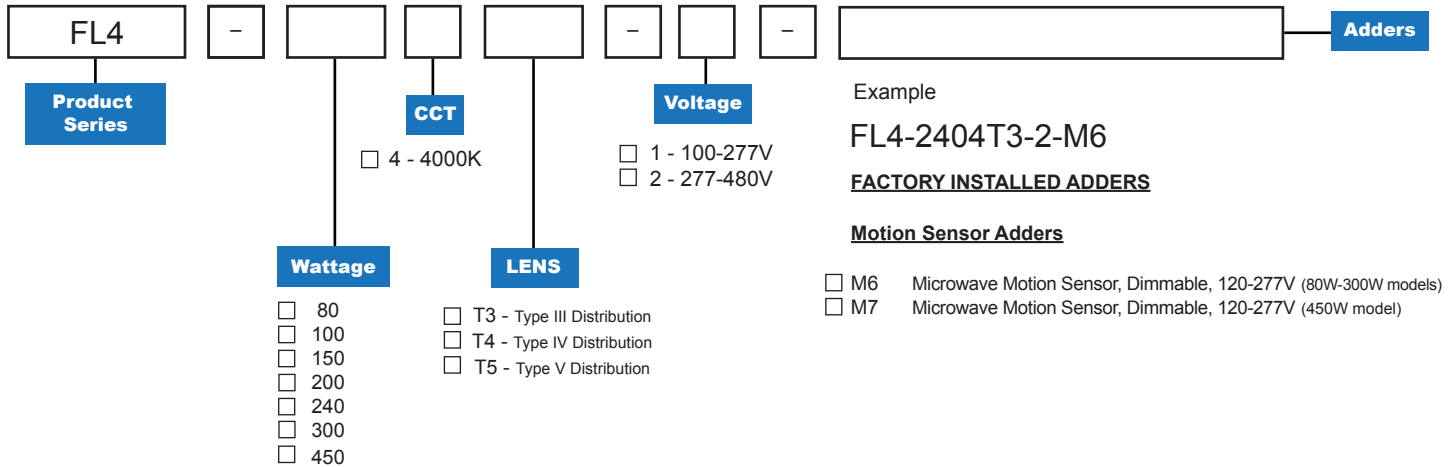
## ACCESSORIES



**FL-SHIELD24**

Glare Shield for FL4-Series Area/Flood Lights (200W/240W /300W models only)

## PRODUCT KEY



1. Due to the special conditions of manufacturing, the typical data of optical specifications can only reflect statistical figures and do not necessarily correspond to the actual parameters of each single product which could differ from the typical data.  
 2. Exceeding maximum ratings for input voltage and current will cause hazardous overload and will likely destroy the LED fixture.  
 3. Refer to Warranty Terms & Conditions available at [premiseled.com/warranty](http://premiseled.com/warranty)