



Model #	
Type	
Project	
Date	

CS3-SERIES COMMERCIAL STRIP

The CS3-Series LED Commercial Strip fixture is designed with a polycarbonate diffuser that provides impact resistance and even, low glare light. Combine this with powerful, high output LED chips, these fixtures meet today's stringent efficacy standards and bring your projects maximum energy savings



HIGHLIGHTS

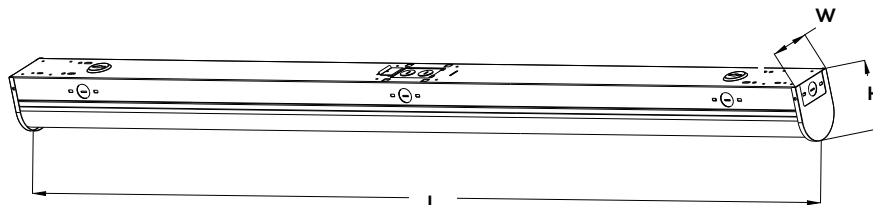
- Up to 138 lm/W
- 80+ CRI
- High-strength design resists bowing when hung
- Polycarbonate diffuser provides impact resistance while minimizing glare and visual fatigue
- 0-10V dimming
- Ready for ceiling/wall flush mounting or suspension via v-hook (included) and chain/cable (not included)
- Available in 100-347VAC
- Designed to work in -30°C / -22°F degree environments
- Backed by a worry-free 10 year warranty
- Fixture-mounted PIR or microwave motion sensors available for increased energy savings. Leviton® PIR motion sensors also available



APPLICATIONS

Designed for indoor applications in commercial, industrial, institutional, and retail spaces.

DIMENSIONS					
VOLTAGE (V)	POWER (W)	L (inches/mm)	W (inches/mm)	H (inches/mm)	WEIGHT (kg/lbs)
120-347V	20	24" (610mm)	3-1/4" (83mm)	3-13/16" (97mm)	2.2 kg / 4.9 lbs
		48" (1219 mm)			2.7 kg / 5.9 lbs
	35	48" (1219 mm)			2.8 kg / 6.2 lbs
	64	95 1/4" (2420 mm)			3.5 kg / 7.7 lbs
	90				



ORDERING GUIDE

SERIES	-	LENGTH & POWER (W)	CCT	-	VOLTAGE / DIMMING
CS3	-	220: 24", 20W 420: 48", 20W 435: 48", 35W 864: 96", 64W 890: 96", 90W	4: 4000K 5: 5000K	-	3: 100-347V, 0-10V dimming, internal connection

FACTORY-INSTALLED OPTIONS

CUSTOM CORD LENGTH	CORD END	SENSOR	EMERGENCY BATTERY
<p>Blank: Default, no cord</p> <p>W186xx*: 600V 18/3 white cord</p> <p style="text-align: center;">Custom length required (in feet)</p> <p style="font-size: small;">*provide desired cord length in "xx" feet up to 99' max</p>	<p>Blank: Default, no cord end</p> <p>N01: 125V 15A straight plug</p> <p>N02: 250V 15A straight plug</p> <p>N04: 125V 15A locking plug</p> <p>N05: 250V 15A locking plug</p> <p>N06: 277V 15A locking plug</p> <p>N07: 125V 20A straight plug</p> <p>N08: 250V 20A straight plug</p> <p>N09: 277V 20A straight plug</p> <p>N10: 125V 20A locking plug</p> <p>N11: 250V 20A locking plug</p> <p>N12: 277V 20A locking plug</p> <p>N13: 347V 20A locking plug</p>	<p>Blank: Default, no sensor</p> <p>M1: PIR motion sensor, On/Off, 120-347V</p> <p>M4: Microwave motion sensor, dimming, 120-277V</p> <p>M5: Microwave motion sensor, dimming, 347V</p> <p>M10: PIR motion sensor, dimming, 120-347V</p> <p>M40: Leviton®, PIR motion sensor, On/Off 120-347V</p> <p>M50: Leviton®, PIR motion sensor with offset adapter, high mount lens, dimming, 120-347V</p> <p>M51: Leviton®, PIR motion sensor with offset adapter, low mount lens, dimming, 120-347V</p> <p>M52: Leviton®, PIR motion sensor with offset adapter, high mount aisle mask, dimming, 120-347V</p> <p>M53: Leviton®, PIR motion sensor with offset adapter, low mount aisle mask, dimming, 120-347V</p>	<p>Blank: Default, no emergency battery</p> <p>EB1**: 8W Emergency battery backup</p> <p style="font-size: small;">** Emergency battery backup not available with length & power option "220"</p>

MODEL SELECTION

FACTORY-INSTALLED OPTIONS

SERIES	-	LENGTH & POWER (W)	CCT	-	VOLTAGE	-	X / CORD LENGTH	CORD END	SENSOR	BATTERY
CS3		435	4	-	3	-	W18610	N01	M1	EB1

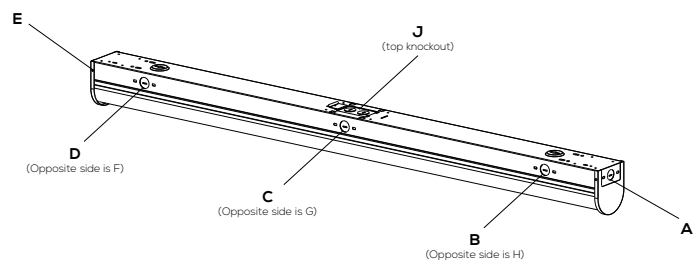
Cord and Sensor Installation Position

EXAMPLE: CS3-4354-3-W18610N01M1EB1

When ordering, please specify the knockout positions for cords and sensors.
Only cord at "J" position, no sensors.

MOUNTING POSITION SELECTION (INDICATE IF ORDERING FACTORY-INSTALLED OPTIONS)

OPTION	MOUNTING POSITION					
CORD	A	B	C	D	E	F
SENSOR	A	E				
BATTERY	E					



- A & C:** Available motion sensor mounting locations
- D:** Default cord location unless specified otherwise
- E:** Must be used by EB1 if selected

ACCESSORIES SELECTION

ORDER	MODEL #	DESCRIPTION
	CS3-2WG	Wire Guard for 2 Foot Commercial Strips
	CS3-4WG	Wire Guard for 4 Foot Commercial Strips
	CS3-8WG	Wire Guard for 8 Foot Commercial Strips (2 x 4 foot wire guards)
	RC01	Remote for motion sensors (one remote is required if ordering): MS1-DHR-KO-1 (Factory-installed code M4) MS1-DH-KO-4 (Factory-installed code M5)
	RC-100	Remote for motion sensor (one remote required if ordering): MS2-DPX3 (Factory-installed code M10)

PRODUCT FEATURES

CONSTRUCTION

- Powder coated white iron housing
- Polycarbonate frosted lens
- Multiple knockouts make installation flexible and easy

INSTALLATION

- Surface mount, Chain mount

ELECTRICAL

- LED drivers have up to 2kV inherent surge protection
- 0-10V dimming, dim-to-off (0.1%)

LISTINGS & RATINGS

- DLC Standard or Premium
- cETLus
- Damp Location
- IP20
- Listed for use in: -30°C to 50°C (-22°F to 122°F)

RATED LIFE & WARRANTY



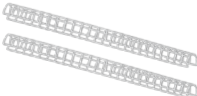
- LED system: >50,000 hours at L70
- 10 year warranty (visit premiseled.com/warranty/)

ORDERING INFORMATION






INPUT VOLTAGE	POWER (W)	CCT (K)	MODEL NUMBER	DELIVERED LUMENS (lm)	EFFICACY (lm/W)	DLC STANDARD	DLC PREMIUM
120-347V	20W	4K	CS3-2204-3	2,693 lm	122 lm/W	PE3RGQ09	-
	20W	4K	CS3-4204-3	2,883 lm	133 lm/W	-	PSU2MGWN
	35W	4K	CS3-4354-3	4,543 lm	138 lm/W	-	PKY0FV20
	64W	4K	CS3-8644-3	8,382 lm	130 lm/W	-	PR0SYVWD
	90W	4K	CS3-8904-3	11,610 lm	134 lm/W	-	POSFMX5F
	20W	5K	CS3-2205-3	2,545 lm	117 lm/W	PP1QZYSH	-
	20W	5K	CS3-4205-3	2,805 lm	130 lm/W	-	PH57VLGU
	35W	5K	CS3-4355-3	4,550 lm	138 lm/W	-	PL5LUYTG
	64W	5K	CS3-8645-3	8,394 lm	131 lm/W	-	PNOCB6YW
	90W	5K	CS3-8905-3	11,631 lm	134 lm/W	-	PZNA9RJM

OPTIONAL ACCESSORIES


REFLECTOR ACCESSORIES

IMAGE	DESCRIPTION	MODEL NUMBER
	Wire Guard for 2 Foot Commercial Strips	CS3-2WG
	Wire Guard for 4 Foot Commercial Strips	CS3-4WG
	Wire Guard for 8 Foot Commercial Strips	CS3-8WG (2 x 4 foot wire guards)



SENSOR ACCESSORIES

IMAGE	DESCRIPTION	MODEL NUMBER	FACTORY-INSTALLED CODE
	<p>PIR Motion Sensor Sensor parameters set by DIP switch, no remote available. On/Off control. Two detection lenses included for 8 ft up to 25 ft or 20 ft up to 40 ft mounting heights, 360° pattern. Non-condensing up to 95% RH. 120-347V input. Daylight settings available. Order separately or factory install.</p>	MS2-OPD-3	M1
	<p>Microwave Motion Sensor Sensor parameters set by required remote (RC01). Dimming control. Detection from 15 ft up to 48 ft mounting height, 360° pattern. IP65 rated. 120-277V input. Daylight settings available. Order separately or factory install.</p>	MS1-DHR-KO-1	M4
	<p>Microwave Motion Sensor Sensor parameters set by required remote (RC01). Dimming control. Detection from 15 ft up to 48 ft mounting height, 360° pattern. IP65 rated. 347V-480V input. Daylight settings available. Order separately or factory install.</p>	MS1-DHR-KO-4	M5
	<p>PIR Motion Sensor Sensor parameters set by DIP switch, or optional remote (RC-100). Dimming control. Two detection lenses included for 8ft up to 25ft or 20ft up to 40ft mounting heights, 360° pattern. Non-condensing operation up to 95% RH. 120-347V Input. Daylight settings available. Order separately or factory install.</p>	MS2-DPX-3	M10
	<p>Leviton® PIR Motion Sensor Sensor parameter set by dial, no remote available. On/Off control. Two detection lenses included for 8ft up to 25ft or 20ft up to 40ft mounting heights, 360° pattern. Aisle mask included. Non-condensing operation up to 90% RH. High inrush stability, auto temperature calibration, return to last state & false detection intelligence. 120-347V input. Order separately or factory install.</p>	OSFHU-CTW	M40

SENSOR ACCESSORIES

IMAGE	DESCRIPTION	MODEL NUMBER	FACTORY-INSTALLED CODE
	<p>Leviton® PIR Motion Sensor Sensor parameters set by DIP switch, no remote available. Dimming control. IP65 rated. 120-347V Input. Daylight settings available. Order separately or factory install.</p>		
	Offset and high mount lens (up to 45ft)	HBE11-IUB-HO	M50
	Offset and low mount lens (8ft-16ft)	HBE11-IUB-LO	M51
	Offset and high mount lens aisle mask (up to 45ft)	HBE11-IUB-HAO	M52
	Offset and low mount lens aisle mask (8ft-16ft)	HBE11-IUB-LAO	M53

SENSOR REMOTES

IMAGE	DESCRIPTION	MODEL NUMBER	COMPATIBLE WITH
	<p>Remote control for programming motion sensors. One remote can control an entire facility. Store settings in remote, and apply them to each fixture with one button. Manual dimming from 100-10%. Daylight settings can be disabled.</p>	RC01	MS1-DHR-KO-1 MS1-DHR-KO-4
	<p>Remote control for programming motion sensors. One remote can control an entire facility. Store settings in remote, and apply them to each fixture with one button. On/Off mode allows fixture to be set at dim levels from 10-100%.</p>	RC-100	MS2-DPX3

PACKING INFORMATION

MODEL	CASE QUANTITY	PALLET QUANTITY
24", 20W	CASE OF 6	270
48", 20W/35W	CASE OF 6	120
96", 64W	CASE OF 6	120
96", 90W	CASE OF 6	120

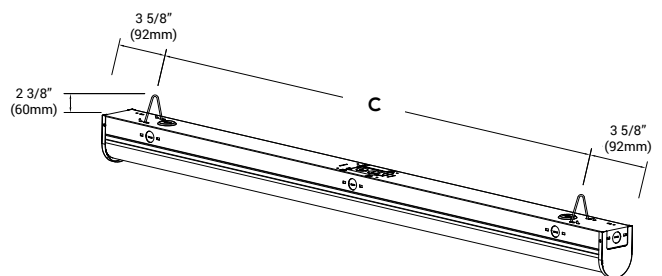
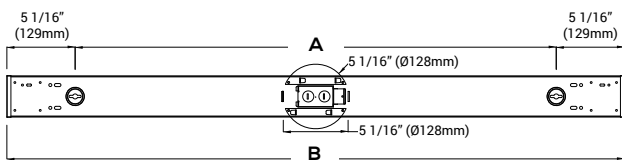
ELECTRICAL INFORMATION

INPUT VOLTAGE	LENGTH & POWER (W)	APPARENT POWER (VA)	SYSTEM POWER (W)	CURRENT DRAW AT 120V _{ac}	CURRENT DRAW AT 208V _{ac}	CURRENT DRAW AT 240V _{ac}	CURRENT DRAW AT 277V _{ac}	CURRENT DRAW AT 347V _{ac}
120-347V	24", 20W	21.0VA	22.1W	0.180A	0.100A	0.090A	0.080A	0.065A
	48", 20W	21.0VA	21.6W	0.180A	0.100A	0.090A	0.080A	0.065A
	48", 35W	33.3VA	32.9W	0.300A	0.180A	0.150A	0.130A	0.100A
	96", 64W	63.1VA	64.5W	0.560A	0.330A	0.280A	0.240A	0.190A
	96", 90W	91.0VA	86.7W	0.790A	0.450A	0.390A	0.340A	0.270A

MODEL NUMBER	POWER (W)	THD	POWER FACTOR	INRUSH CURRENT (A)	DRIVER SURGE PROTECTION
CS3-2204-3	20W	18.8%	0.87	<30A	L-N: 2kV, L/N-GND: 2kV
CS3-2205-3		19.9%	0.87		
CS3-4204-3	20W	14.9%	0.891		
CS3-4205-3		14.9%	0.892		
CS3-4354-3	35W	2.1%	0.9		
CS3-4355-3		2.1%	0.9		
CS3-8644-3	64W	20.5%	0.87		
CS3-8645-3		3.9%	0.9		
CS3-8904-3	90W	4.1%	0.9		
CS3-8905-3		4.1%	0.9		

MOUNTING DIMENSIONS

SURFACE MOUNT		V-HOOK MOUNT	
80W-150W	A: 13 7/8" (352mm) B: 24" (610mm)	80W-150W	C: 16 3/4" (426mm)
200W-300W	A: 37 7/8" (962mm) B: 48" (1220mm)	200W-300W	C: 40 3/4" (1036mm)
450W	A: 85 1/8" (2162mm) B: 95 1/4" (2420mm)	450W	C: 88 3/4" (2256mm)



Specifications and dimensions subject to change without notice.

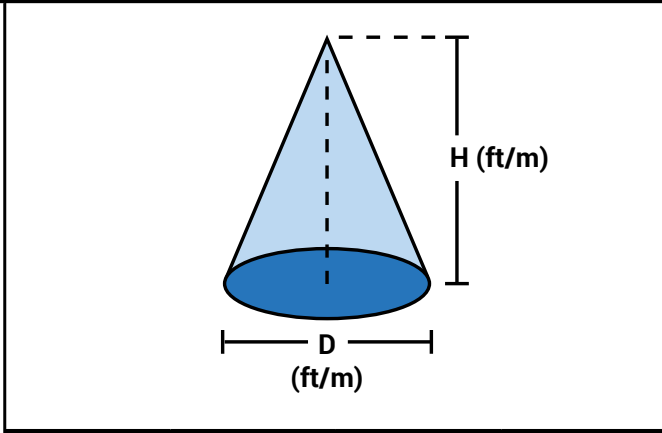
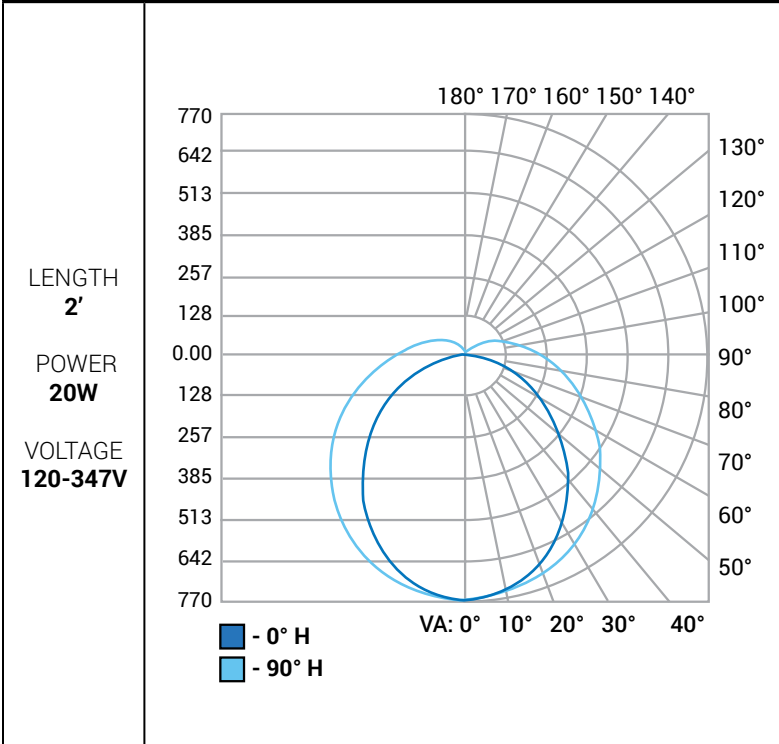
3401 ENTERPRISE PARKWAY
BEACHWOOD, OH USA 44122

80-86 CARRIER DRIVE
TORONTO, ON CANADA M9W 5R1

PHOTOMETRIC INFORMATION (DLC STANDARD)

POLAR CANDELA DISTRIBUTION

ILLUMINANCE AT A DISTANCE



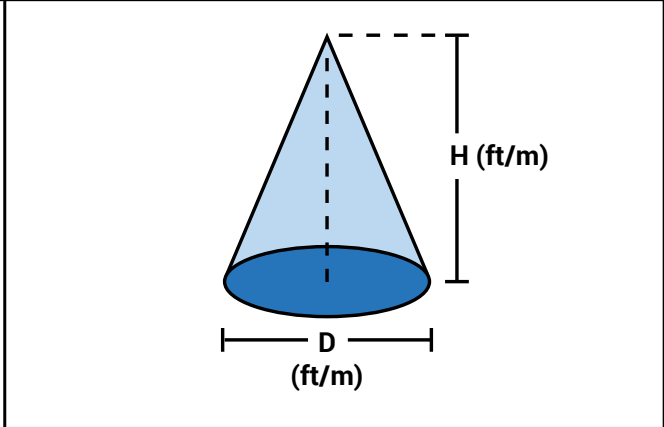
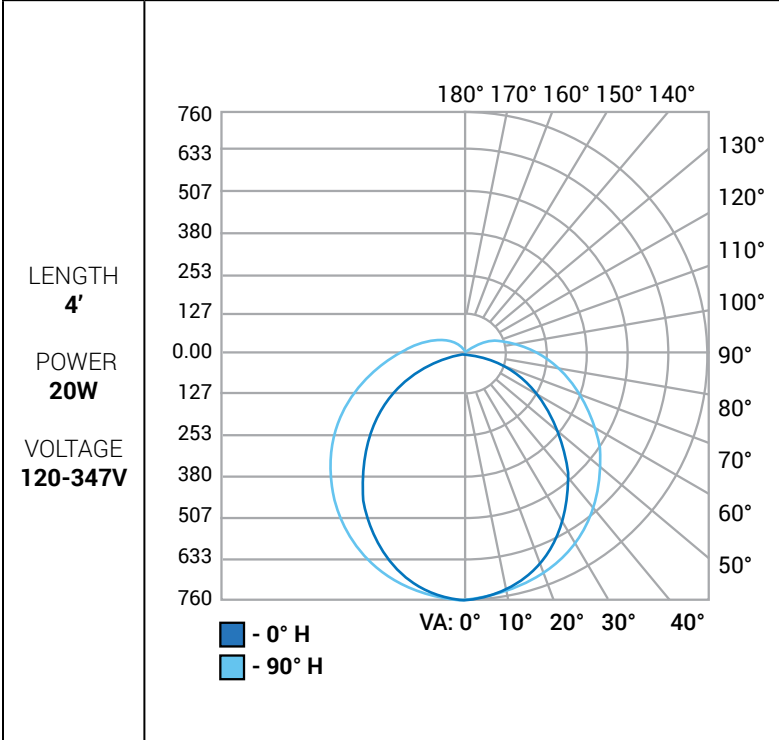
H (ft/m)	LUX	FC	D (ft/m)
6.6' (2m)	190.8	17.7	16.4' (5.0m)
9.8' (3m)	84.8	7.9	24.3' (7.4m)
13.1' (4m)	47.7	4.4	32.5' (9.9m)
16.4' (5m)	30.5	2.8	40.7' (12.4m)
19.7' (6m)	21.2	2.0	48.9' (14.9m)

*Based on operation at 4000K & 120V.

PHOTOMETRIC INFORMATION (DLC PREMIUM)

POLAR CANDELA DISTRIBUTION

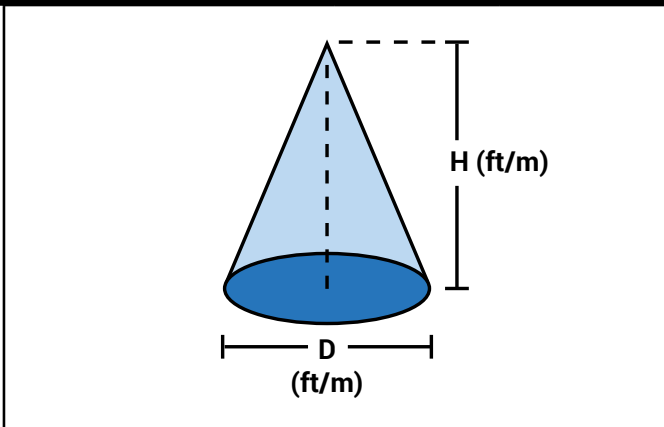
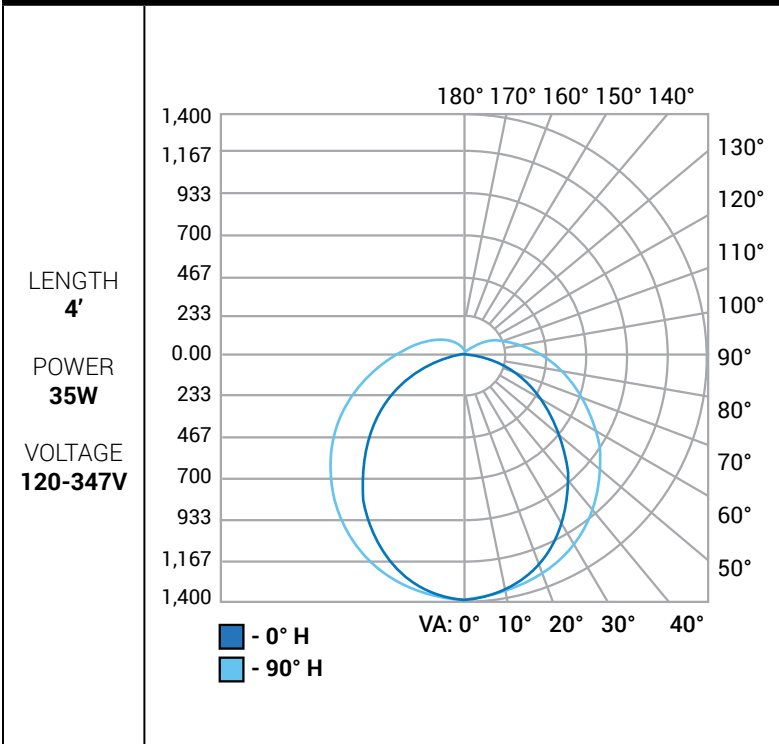
ILLUMINANCE AT A DISTANCE



H (ft/m)	LUX	FC	D (ft/m)
6.6' (2m)	297.9	27.7	25.6' (7.8m)
9.8' (3m)	132.4	12.3	38.8' (11.8m)
13.1' (4m)	74.5	6.9	51.6' (15.7m)
16.4' (5m)	47.7	4.4	64.4' (19.6m)
19.7' (6m)	33.1	3.1	77.2' (23.5m)

POLAR CANDELA DISTRIBUTION

ILLUMINANCE AT A DISTANCE



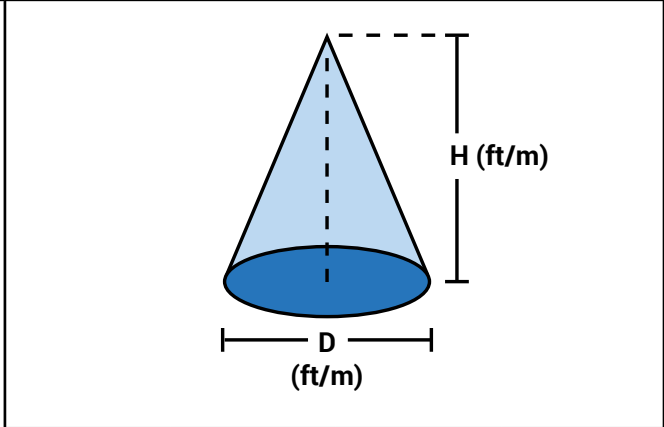
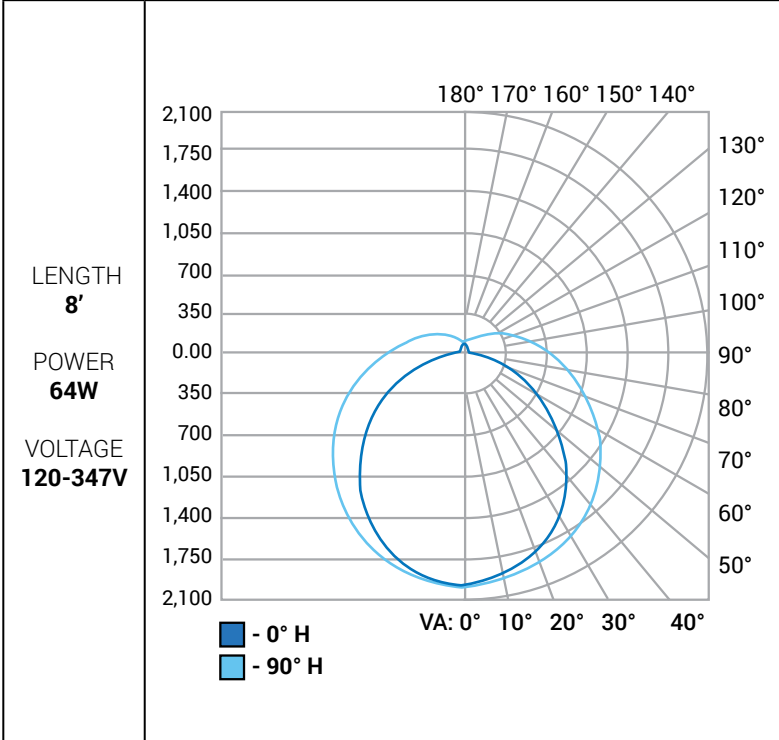
H (ft/m)	LUX	FC	D (ft/m)
6.6' (2m)	328.1	30.5	16.8' (5.1m)
9.8' (3m)	145.8	13.6	25.0' (7.6m)
13.1' (4m)	82.0	7.6	50.3' (10.1m)
16.4' (5m)	52.5	4.9	41.4' (12.6m)
19.7' (6m)	36.5	3.4	49.9' (15.2m)

*Based on operation at 4000K & 120V.

PHOTOMETRIC INFORMATION (DLC PREMIUM)

POLAR CANDELA DISTRIBUTION

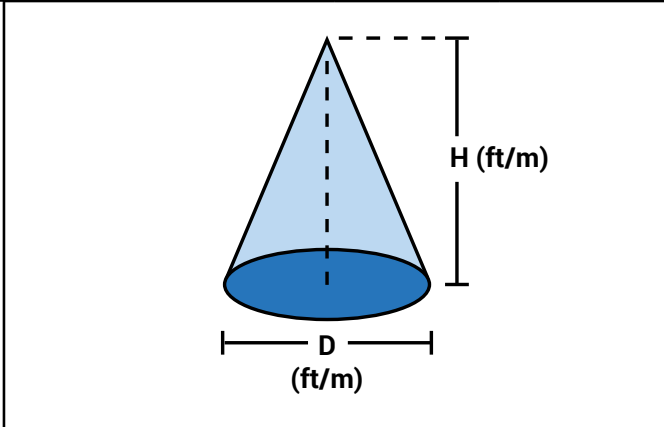
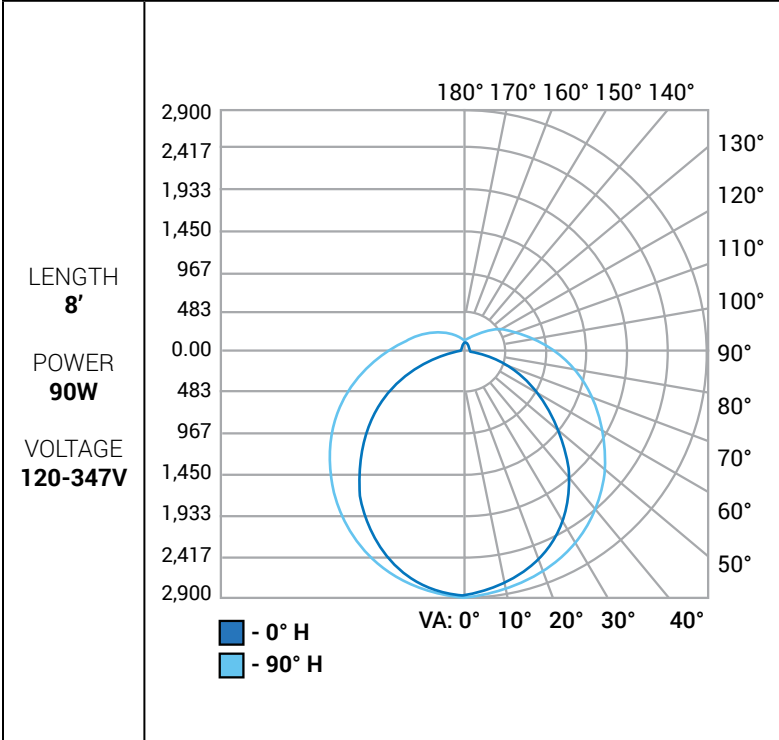
ILLUMINANCE AT A DISTANCE



H (ft/m)	LUX	FC	D (ft/m)
6.6' (2m)	497.6	46.2	46.0' (14.0m)
9.8' (3m)	221.2	20.6	69.3' (21.1m)
13.1' (4m)	124.4	11.6	92.3' (28.1m)
16.4' (5m)	79.6	7.4	115.3' (35.1m)
19.7' (6m)	55.3	5.1	250.3' (42.1m)

POLAR CANDELA DISTRIBUTION

ILLUMINANCE AT A DISTANCE



H (ft/m)	LUX	FC	D (ft/m)
6.6' (2m)	714.2	66.4	23.7' (7.2m)
9.8' (3m)	317.4	29.5	35.1' (10.7m)
13.1' (4m)	178.5	16.6	47.0' (14.3m)
16.4' (5m)	114.3	10.6	58.8' (17.9m)
19.7' (6m)	79.4	7.4	70.6' (21.5m)

*Based on operation at 4000K & 120V.